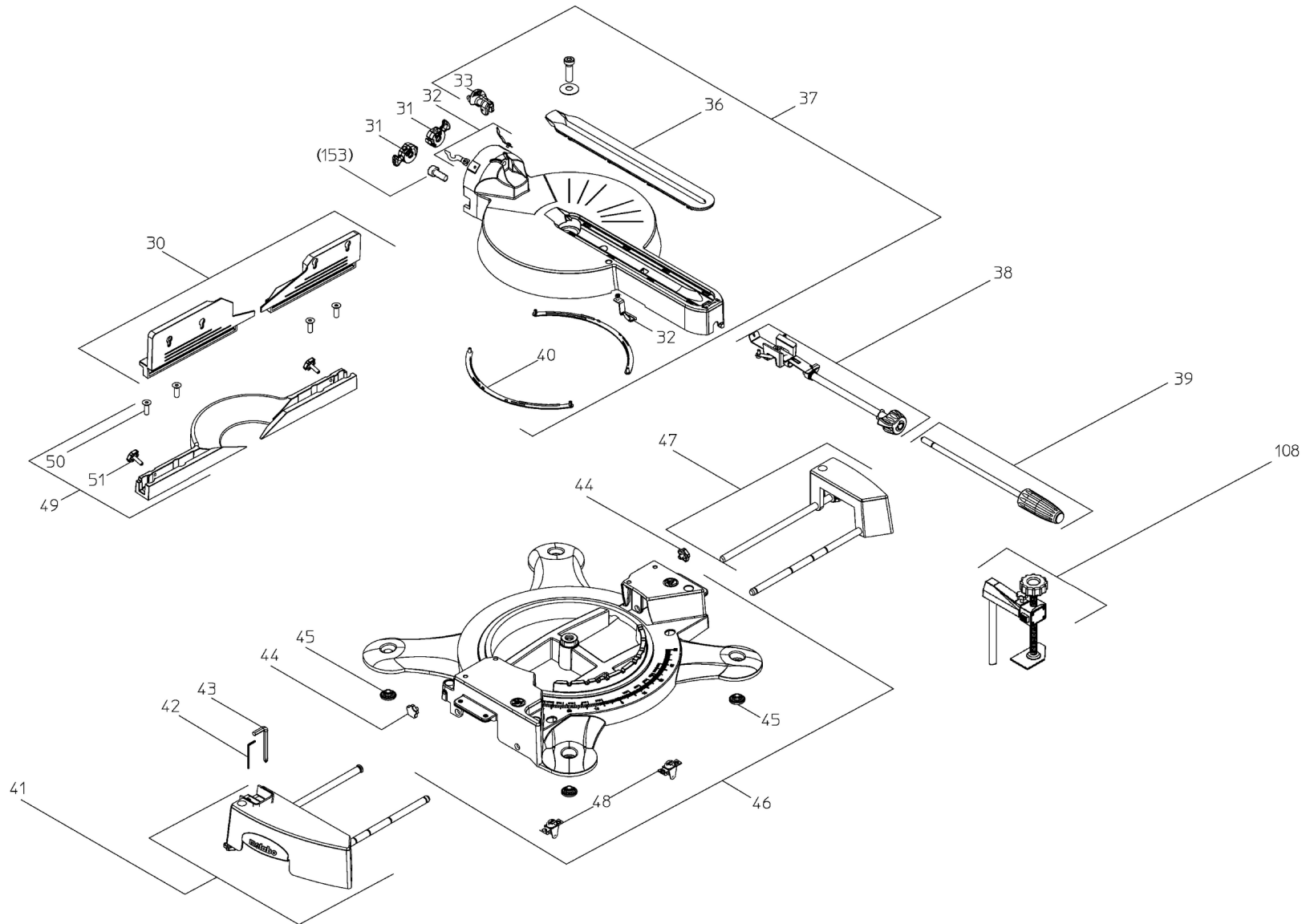
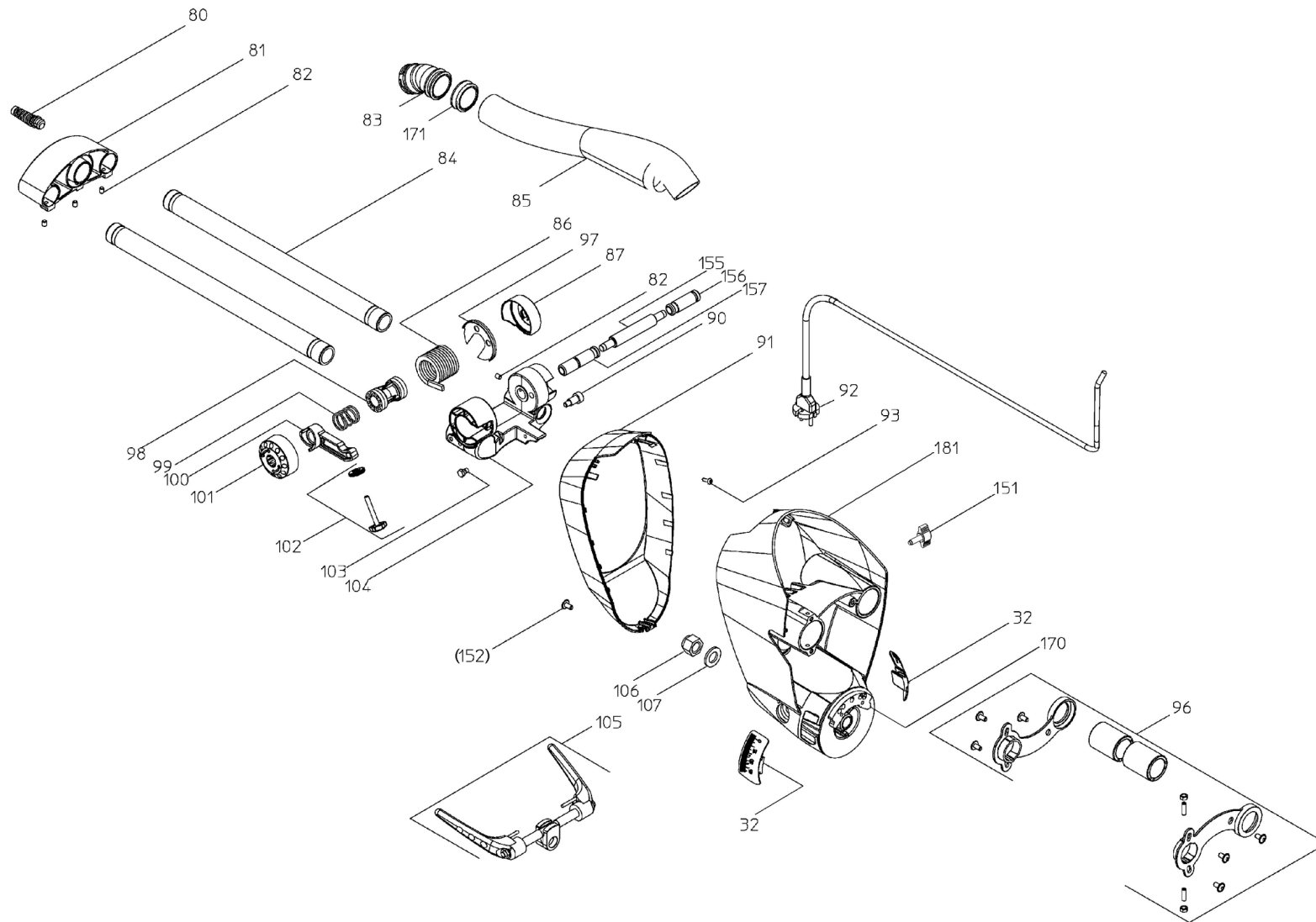
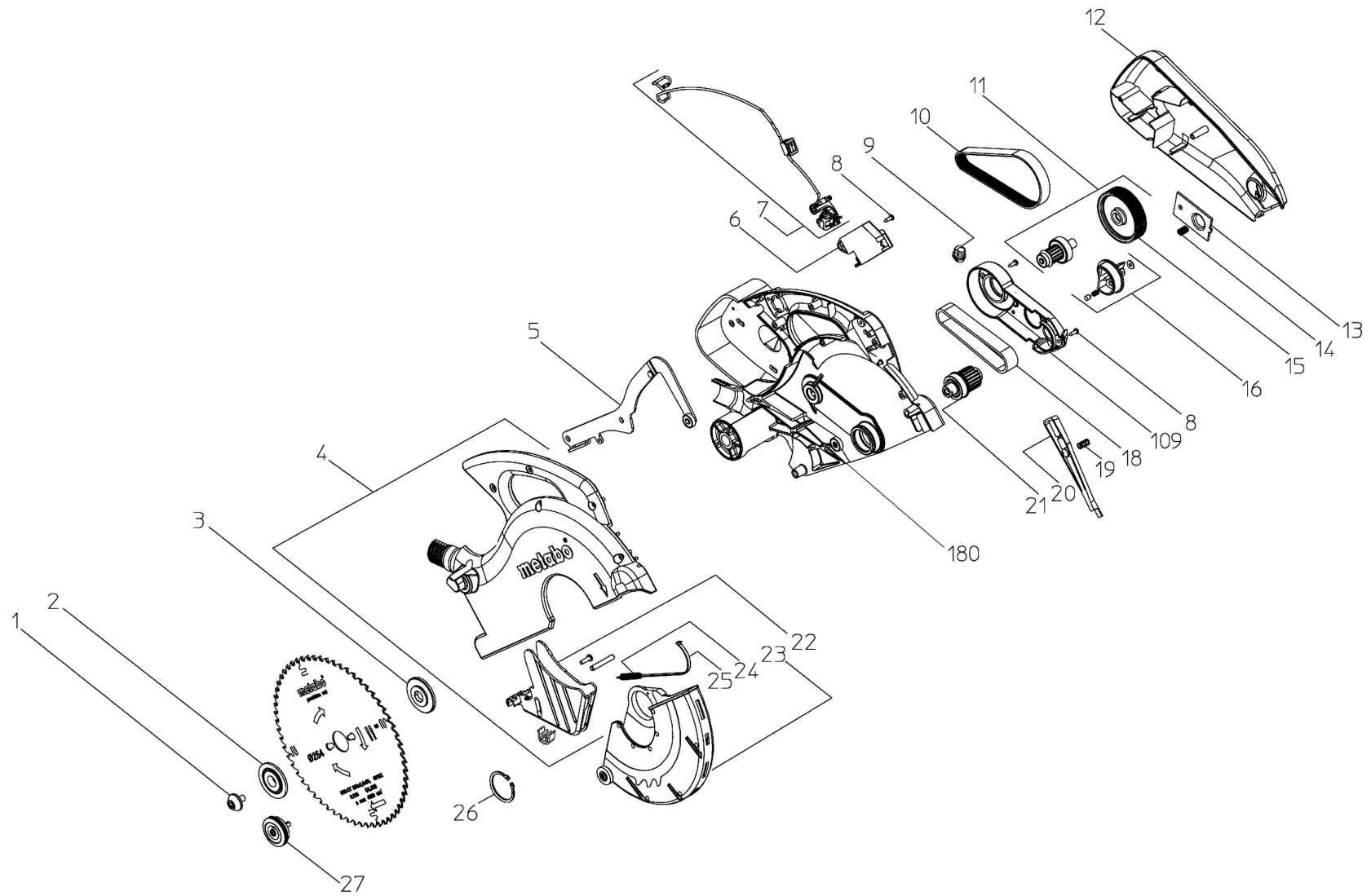


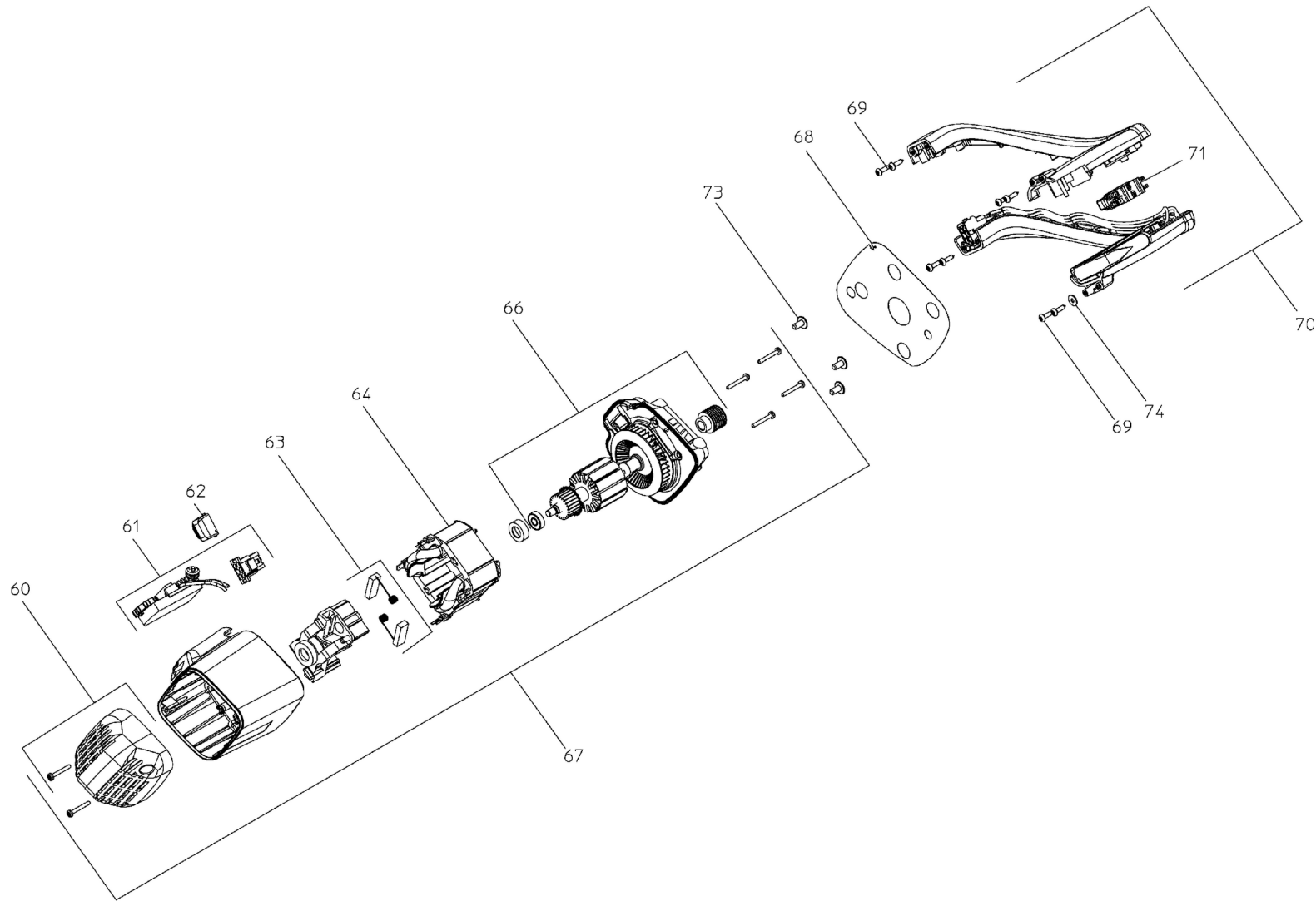
	Litzenfarben	Colour of strands	Couleur des cordons
BK	schwarz	black	noir
WH	weiß	white	blanc
BU	blau	blue	bleu
YE	gelb	yellow	jaune
RD	rot	red	rouge
TR	transparent	transparent	transparent
BN	braun	brown	brun
GY	grau	grey	gris
GNYE	grün-gelb	green-yellow	vert-jaune
BKWH	schwarz-weiß	black-white	noir-blanc
GN	grün	green	vert
OG	orange	orange	orange
VT	violett	violet	violet
TQ	türkis	turquoise	turquoise

	Bedeutung der Kurzzeichen	Meaning of the symbols	Interprétation des symboles
B	Stecker	plug	fiche
C	Kondensator	condenser	condensateur
D	Funkentstördrossel	interference suppression inductance	inductance d'antiparasitage
E	Elektronik-Baustein	electronic unit	unité électronique
I	Induktionsspule	induction coil	bobine d'inductance
K	Klemme	terminal	borne
L	Licht	light	lumière
M	Motor	motor	moteur
O	Überlastschutz	overload cut-out	déclencheur de surintensité
R	Drehrichtungsumschalter	reversing switch	commutateur droite-gauche
S	Schalter	switch	interrupteur
U	Umschalter	change-over switch	commutateur
X	Elektronik-Element	electronic element	élément électronique





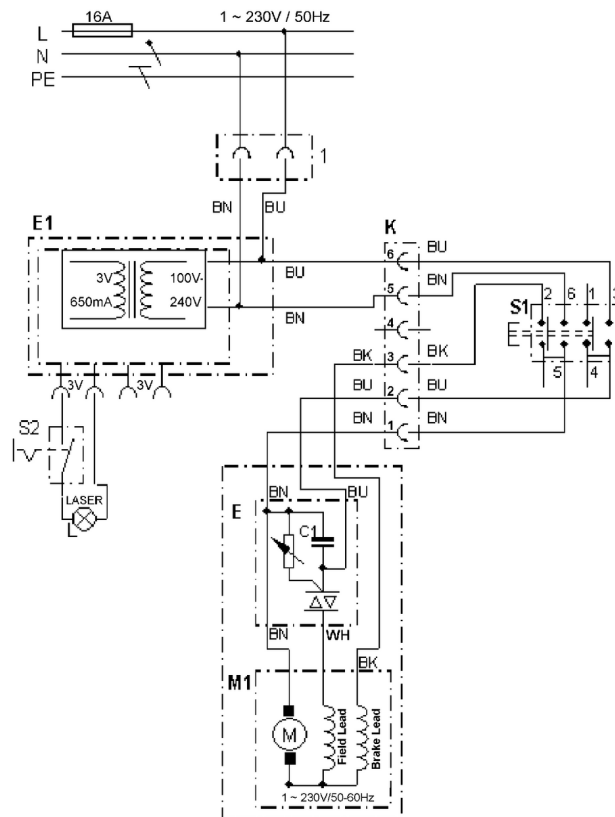




Numero d'ordine	Numero	Numero d'ordine	Descrizione	PG
1	1	1395739162	SAW SPINDLE BOLT M 8x20 left	20
2	1	1482736579	Blade collar, outer	24
3	1	1485736553	Blade collar, inner	22
4	1	1010736150	Calotta protezione compl.	34
5	1	1010736753	Swivel lever compl.	30
6	1	8056736540	Transformator KGS Plus	31
7	1	1010739213	Laser compl. KGS 315 Plus	38
8	3	6172001805	Vite con impronta a croce	11
9	1	8243740097	GROMMET	11
10	1	7233736389	Poly-rib belt	21
11	1	1010739248	albero intermedio KGS 216/254/315 Plus	34
12	1	1381736683	Belt guard	23
13	1	1010739230	Saw blade arrest compl.	20
14	1	7051722854	Molla	13
15	1	1380739255	POLY-RIB PULLEY KGS 216/254/315 Plus	34
16	1	1010739035	Transportation lock compl. KGS 216/254/3	19
18	1	7231703351	COGGED BELT HTD 300-5M-20 CXP KGT300	29
19	1	7051711623	Molla	11
20	1	1381736802	lock lever lower Guard	12
21	1	1010739132	Saw blade shaft compl. KGS 216/254/315	34
22	1	339203820	Calotta	19
23	1	1010737229	Calotta protezione compl.	30
24	1	7051736405	molla	11
25	1	1381736861	nastro plast.	11
26	1	6400736810	Anello di sicurezza albero	11
27	1	1010736893	vite	33
30	1	1010737210	Guida addizionale compl.	38
31	2	1010736257	bevel stop compl. KGS Plus	14
32	1	1010739108	Indicatore compl. KGS 216/254/315 Plus	34
33	1	1010739124	Catch clamb compl KGS 216/254/315 Plus	22
36	1	1010739116	Piastrina in acciaio compl. KGS 216/254/	20
37	1	1010739647	Turntable compl. KGS 254/315 Plus	46
38	1	1010739159	Turntable Accessories KGS 254/315 Plus	34
39	1	1010736249	Control grip compl. KGS Plus	23
40	2	1388739629	Scarpetta scorrevole KGS 254/315 Plus	18
41	1	1010737423	Allargamento piano tavolo sinistro	31
42	1	9102076823	ALLEN HEXAGON KEY SW 2,5 SCHWARZ	11
43	1	9102689833	ALLEN HEXAGON KEY	16
44	2	341704570	Pomello a stella	13
45	4	341147920	Piedino in gomma	20
46	1	1010740300	Tavolo KGS 254/315 Plus	55

Numero d'ordine	Numero	Numero d'ordine	Descrizione	PG
47	1	1010737431	Allargamento piano tavolo sinistro	30
48	2	1010737555	Extension detent compl. KS 254/305	21
49	1	1010736427	Battuta compl.	36
50	4	6132002060	HEX.SOCKET COUNTERS.HEAD SCREW	11
51	2	341704580	Pomello a stella	13
60	1	1010739418	Calotta KGS 315	34
61	1	343082440	Componente elettronico,230V 50Hz	43
62	1	1381737167	Connector cover	13
63	1	1010739060	Carbon Brush 230V compl KGS 315 Plus	28
64	1	8011739294	STATOR 230V KGS 315 Plus	42
66	1	1010739094	Amature 230V compl. KGS 315 Plus	48
67	1	1010736133	Motore compl.	54
68	1	7631740116	Guarnizione	12
69	9	341702050	vite	11
70	1	1010736168	Impugnatura compl.	31
71	1	8111737712	Interruttore KS 254/305	30
73	3	6143661561	Vite con flangia	11
74	1	141150110	Rondella	11
80	1	8402736722	Strain relief	13
81	1	1380736582	Rear pivot	25
82	6	6164029245	Perno filettato con esagono interno	11
83	1	1381691566	DUST EXTRACTION PORT 44/35-44/32	16
84	2	1385736475	asta di trazione	45
85	1	1381736535	Tube aspirazione	16
86	1	7051736618	Molla di torsione	19
87	1	1381736594	Cappuccio copertura	12
90	1	1485735689	Battuta Vite	19
91	1	1381736330	Copertura	20
92	1	8402736632	Cavo con spina,2x1,0x2900 2xAH	22
93	1	341702050	vite	11
96	1	1010739434	Rep-Set linear-bearing compl.	34
97	1	7631738677	Sealing washer	11
98	2	1381736497	Bushing (torsion spring bush)	11
99	1	7051736413	Molla	11
100	1	1380736787	Asta di profondita	19
101	1	1381736519	Pomello girevole	13
102	1	6143736880	Knurled thumb screw	13
103	1	6104220876	vite	14
104	1	1380736469	Front pivot	31
105	1	1010739027	Leva di bloccaggio compl. KGS 216/254/31	30
107	1	141156740	Rondella	11

108	1	1010737440	Work clamb assy compl. KS Plus	34
109	1	343395700	Coperchio ingranaggi	30
110	1	338132080	Targhetta informazioni,Laser	12
151	1	341704560	Vite ad alette	14
152	1	399999990	PARTIC. NON NECESSARIO	
153	1	399999990	PARTIC. NON NECESSARIO	
154	1	343431800	cond. polvere,KGSplus	11
155	1	341059660	Asse	23
156	1	341005920	Boccola sinistro	22
157	1	341005910	Boccola destra	23
170	10	343394090	Leva d'arresto	21
171	1	1381212943	END SLEEVE JOINER	13
180	1	1010736192	Motor bracket compl.	55
181	1	1010736214	Pivot compl.,KGS 315 Plus	53
191	1	343030240	Cover	14



	Litzenfarben	Colour of strands	Couleur des cordons
BK	schwarz	black	noir
WH	weiß	white	blanc
BU	blau	blue	bleu
YE	gelb	yellow	jaune
RD	rot	red	rouge
TR	transparent	transparent	transparent
BN	braun	brown	brun
GY	grau	grey	gris
GNYE	grün-gelb	green-yellow	vert-jaune
BKWH	schwarz-weiß	black-white	noir-blanc
GN	grün	green	vert
OG	orange	orange	orange
VT	violett	violet	violet
TQ	türkis	turquoise	turquoise

	Bedeutung der Kurzzeichen	Meaning of the symbols	Interprétation des symboles
B	Stecker	plug	fiche
C	Kondensator	condenser	condensateur
D	Funkentstördrossel	interference suppression inductance	inductance d'antiparasitage
E	Elektronik-Baustein	electronic unit	unité électronique
I	Induktionsspule	induction coil	bobine d'inductance
K	Klemme	terminal	borne
L	Licht	light	lumière
M	Motor	motor	moteur
O	Überlastschutz	overload cut-out	déclencheur de surintensité
R	Drehrichtungsumschalter	reversing switch	commutateur droite-gauche
S	Schalter	switch	interrupteur
U	Umschalter	change-over switch	commutateur
X	Elektronik-Element	electronic element	élément électronique